

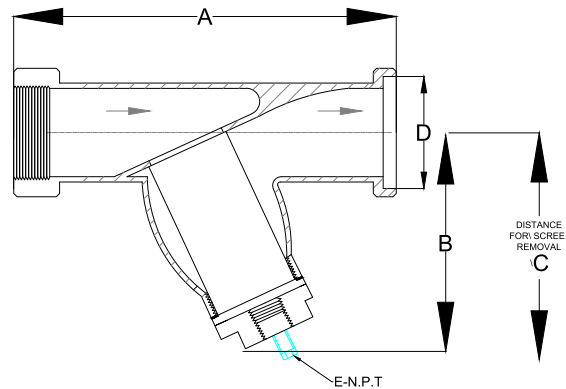
CAST STEEL THREADED AND SOCKET WELD YSCW SERIES

Design Features

- Sizes 15nb to 40 nb
- Strainers are available with threaded or socket weld inlet/outlet connections.
- Strainer are designed to relevant ASME standards
- Body investment casted and well proportioned to ensure low pressure drop As per annexure 2
- Guaranteed pressure drop as per table - 4a.
- Net free straining area is min. 4 times pipe cross sectional area with standard screens
- Machined filter seats on both ends for pricise seating of filter element
- Grooved , Threaded end cover which doubles up as drain/blow off
- Threaded covers are provided with flat gaskets for proper sealing
- Pressure rating 25 bar



Dimensions



Material Data

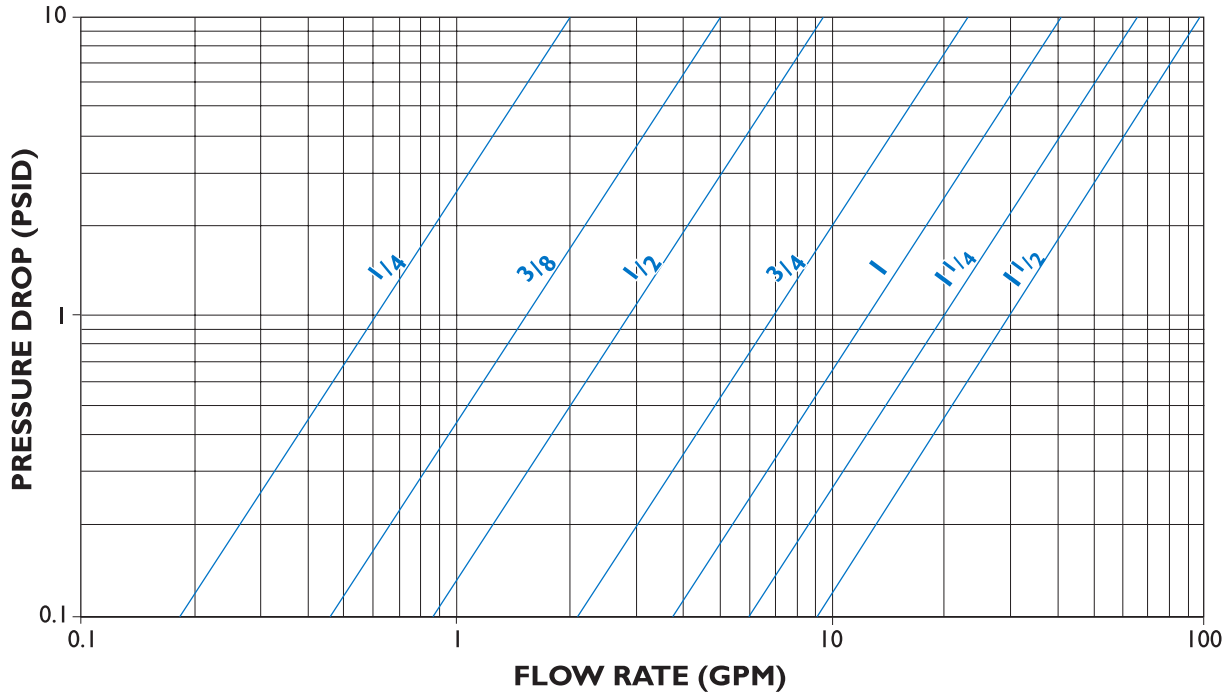
COMPONENT	MATERIAL
Body / Cover	216 WCB,ICB ,CF8, CF8M,GM,Ni Al Bronze
Fastener	CS TO IS 1367.
Gaskets	CAF, NACF, Neoprene, Nitrile,PTFE
Filter Element	SS 304,316, Duplex, Brass, Monel, Hastalloy C

Size	A	B	C	D	E
15	59	40	60	21.72	10
20	80	54	81	27.05	10
25	84	67	102	33.78	15
32	105	76	114	42.55	15
40	119	81	121	48.64	15
50	138	97	146	61.11	15
65	183	124	184	73.81	15
80	203	133	190	89.79	15

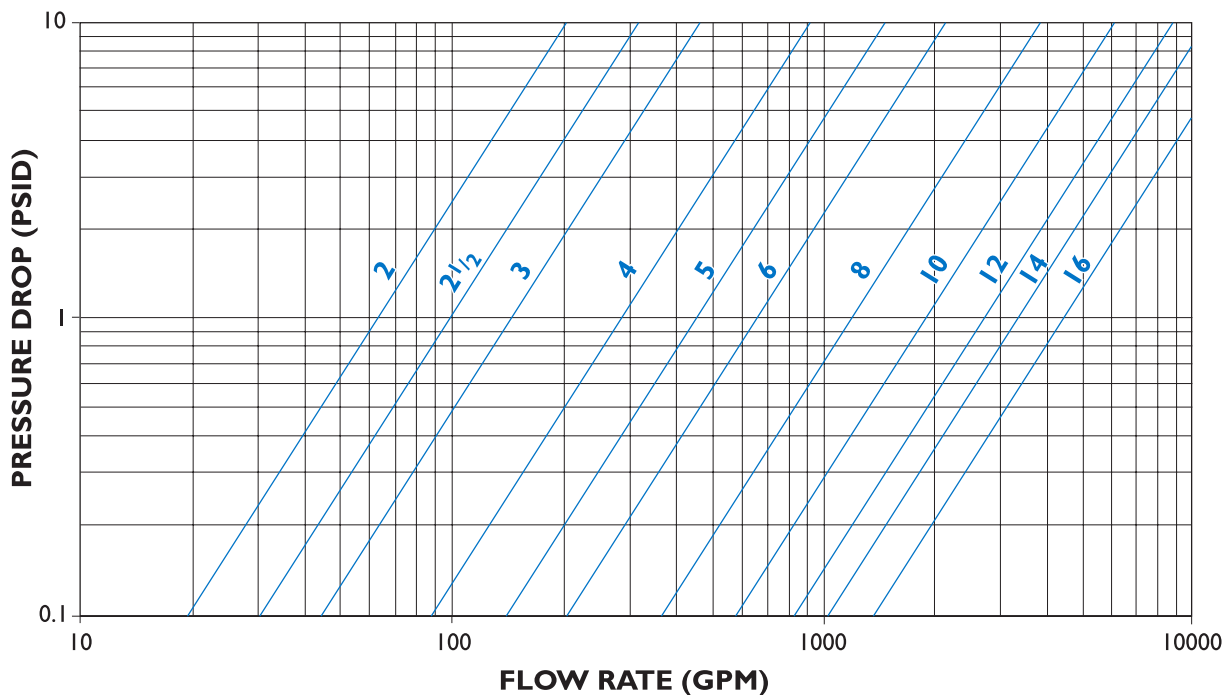
Standard Screens

SIZE RANGE	OPENING
12" - 15"	0.039 in.
12mm - 40mm	1mm

Pressure Drop Curve for Y Strainers (Sizes 1/2" - 1-1/2")



Pressure Drop Curve for Y Strainers (Sizes 2" - 16")



Note: Pressure drop curves are based on water flow with standard screens.